

THESE DOCUMENTS AND ALL THE IDEAS, ARRANGEMENTS, DESIGNS AND PLANS INDICATED THEREON OR REPRESENTED THEREBY ARE OWNED BY AND REMAIN THE PROPERTY OF ME ENGINEERING AND NO PART THEREOF SHALL BE UTILIZED BY ANY PERSON, FIRM OR CORPORATION FOR ANY PURPOSE WHATSOEVER EXCEPT WITH THE SPECIFIC WRITTEN PERMISSION 2017 © ME ENGINEERING, P.C.

| REVISIONS |      |    |             |
|-----------|------|----|-------------|
| No.       | Date | By | Description |
|           |      |    |             |
|           |      |    |             |
|           |      |    |             |
|           |      |    |             |
|           |      |    |             |
|           |      |    |             |
|           |      |    |             |
|           |      |    |             |
|           |      |    |             |

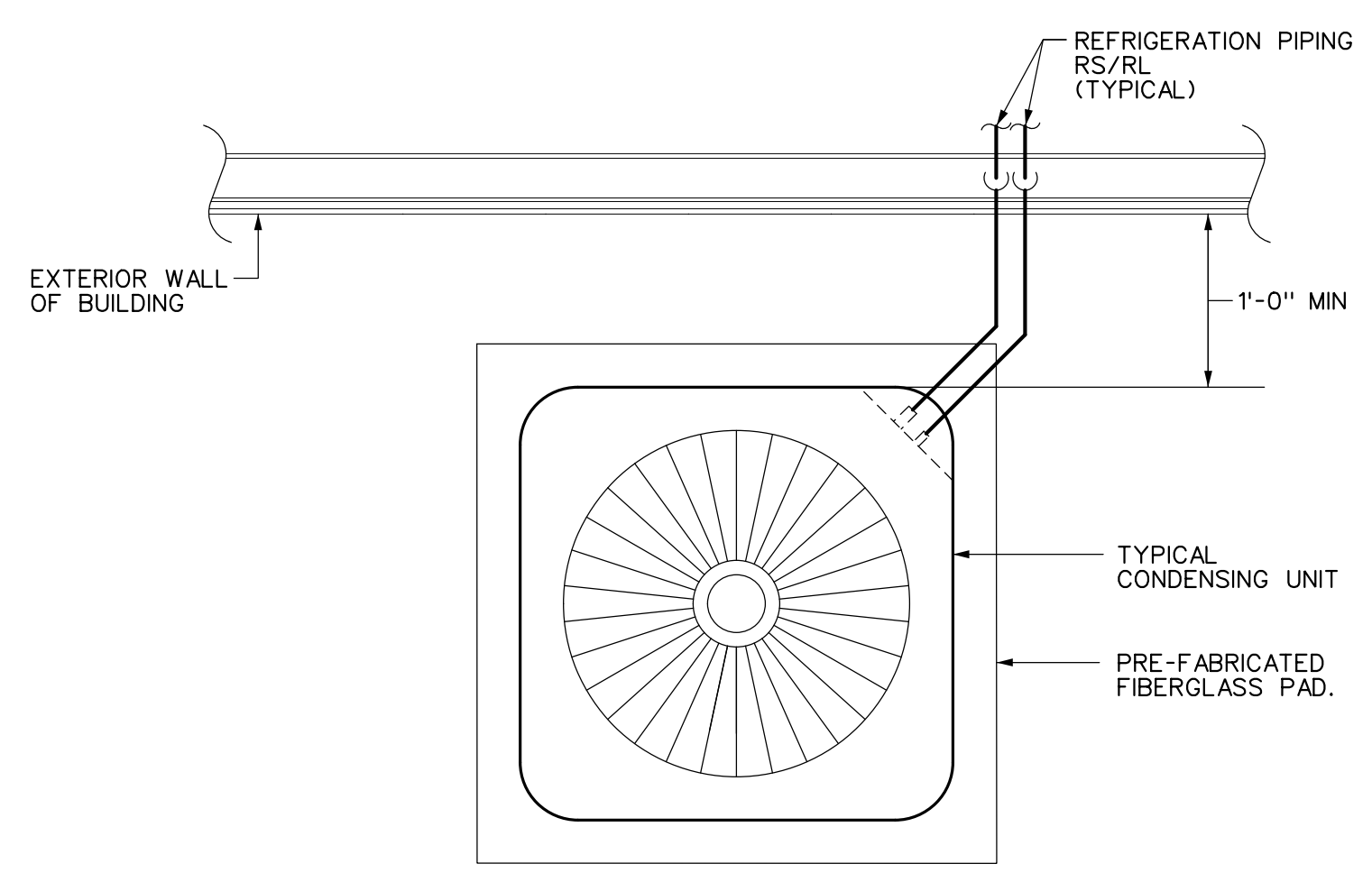
**DRAWING TITLE**

**DETAILS AND SCHEDULES - HVAC**

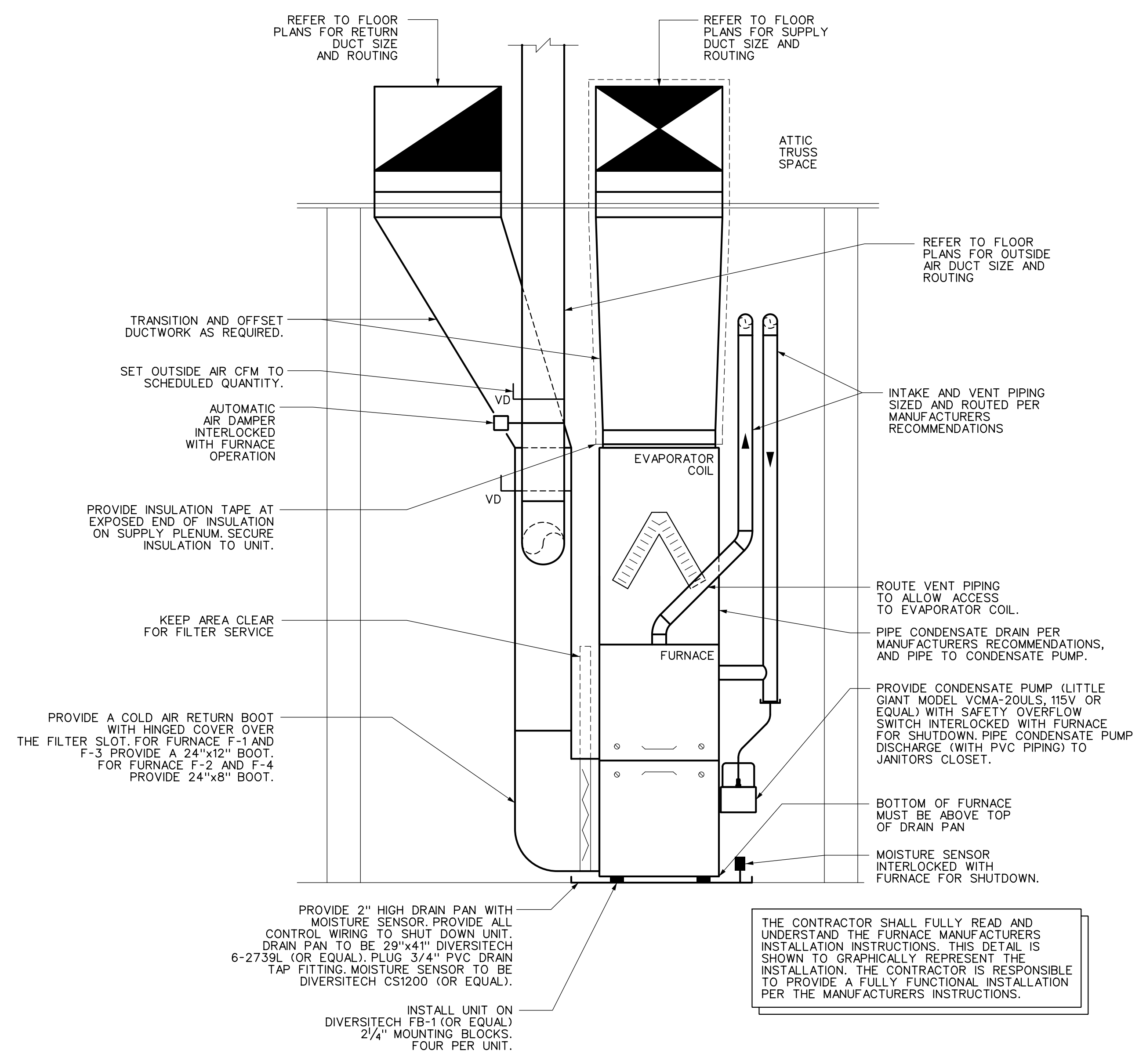
**DRAWING NO.**  
**H-2**

Drawn By: NED  
Checked By: DNW  
Project Mgr: JPC  
Date: 08/07/17  
Project No: 170992

**ISSUE DATE**  
**08/07/17**



**2**  
H-2  
**TYPICAL CONDENSING UNIT DETAIL**  
SCALE: 1"=1'-0"



**1**  
H-2  
**TYPICAL FURNACE CLOSET SECTION**  
SCALE: 1"=1'-0"

THE CONTRACTOR SHALL FULLY READ AND UNDERSTAND THE FURNACE MANUFACTURERS INSTALLATION INSTRUCTIONS. THIS DETAIL IS SHOWN TO GRAPHICALLY REPRESENT THE INSTALLATION. THE CONTRACTOR IS RESPONSIBLE TO PROVIDE A FULLY FUNCTIONAL INSTALLATION PER THE MANUFACTURERS INSTRUCTIONS.

**FURNACE SCHEDULE - GAS W/ DX COIL**

| UNIT NO. | LOCATION            | SERVES         | CFM  | MIN. O.A. CFM | E.S.P. IN W.C. | TYPE   | MAX INPUT CAPACITY MBH | OUTPUT MBH (HIGH) | OUTPUT MBH (LOW) | AFUE % | FAN SPEED | MOTOR |     |       |       | DESIGN EQUIPMENT |     |               |
|----------|---------------------|----------------|------|---------------|----------------|--------|------------------------|-------------------|------------------|--------|-----------|-------|-----|-------|-------|------------------|-----|---------------|
|          |                     |                |      |               |                |        |                        |                   |                  |        |           | RPM   | HP  | VOLTS | PHASE |                  | MCA | MOP           |
| F-1      | NEW FURNACE CLOSET  | SOUTH ZONE     | 1925 | 250           | 0.6            | UPFLOW | 120                    | 115               | 75               | 96     | CONSTANT  | -     | 1.0 | 115   | 1     | 17               | 20  | YORK TM9V120D |
| F-2      | NEW FURNACE CLOSET  | INTERIOR ZONE  | 1200 | 150           | 0.6            | UPFLOW | 60                     | 58                | 37               | 96     | CONSTANT  | -     | 1/2 | 115   | 1     | 10.0             | 15  | YORK TM9V060B |
| F-3      | NEW FURNACE CLOSET  | NORTHEAST ZONE | 1600 | 200           | 0.6            | UPFLOW | 80                     | 77                | 50               | 96     | CONSTANT  | -     | 3/4 | 115   | 1     | 11.5             | 20  | YORK TM9V080C |
| F-4      | EXISTING STORAGE RM | NORTHWEST ZONE | 1200 | 150           | 0.6            | UPFLOW | 60                     | 58                | 37               | 96     | CONSTANT  | -     | 1/2 | 115   | 1     | 10.0             | 15  | YORK TM9V060B |

- NOTES:
- PROVIDE WITH 7-DAY PROGRAMMABLE THERMOSTAT.
  - PROVIDE MERV 8 FILTER AND FILTER RACK FOR FIELD INSTALLATION.
  - PROVIDE COOLING COIL WITH NON-BLEED TXV KIT (FACTORY INSTALLED).
  - FIELD ADJUST FAN SPEED TO MEET SCHEDULED AIRFLOW. SUPPLY FAN BLOWER MOTOR SHALL BE CONSTANT TORQUE ECM MOTOR.
  - DX COOLING COIL AND FURNACE SHALL BE MATCHED TO CONDENSING UNIT FOR THE MINIMUM SCHEDULED SEER RATING.
  - PROVIDE ADAPTER FOR CASED COOLING COIL, AS REQUIRED.
  - PROVIDE WITH YORK SIDEWALL VENT TERMINATION KIT.

**AIR COOLED CONDENSING UNIT SCHEDULE - R410A**

| UNIT NO. | SERVES                       | NOMINAL CAPACITY (TONS) | TOTAL CAPACITY (MBH) | SENSIBLE CAPACITY (MBH) | SEER AT ARI | ELECTRICAL |       |      |     | DESIGN EQUIPMENT |
|----------|------------------------------|-------------------------|----------------------|-------------------------|-------------|------------|-------|------|-----|------------------|
|          |                              |                         |                      |                         |             | VOLTS      | PHASE | MCA  | MOP |                  |
| CU-1     | FURNACE F-1 (SOUTH ZONE)     | 5                       | 60.4                 | 43.7                    | 14.75       | 208        | 1     | 32.4 | 50  | YORK-YCG60B21S   |
| CU-2     | FURNACE F-2 (INTERIOR ZONE)  | 3                       | 37.1                 | 26.5                    | 15.75       | 208        | 1     | 22   | 35  | YORK-YCG36B21S   |
| CU-3     | FURNACE F-3 (NORTHEAST ZONE) | 4                       | 47.2                 | 34.3                    | 15.75       | 208        | 1     | 25.9 | 40  | YORK-YCG48B21S   |
| CU-4     | FURNACE F-4 (NORTHWEST ZONE) | 3                       | 37.1                 | 26.5                    | 15.75       | 208        | 1     | 22   | 35  | YORK-YCG36B21S   |

- NOTES:
- PROVIDE UNIT WITH PRE-INSULATED REFRIGERANT LINE SET.
  - PROVIDE UNIT WITH COMPRESSOR RUBBER ISOLATION KIT.
  - SEER RATING IS FOR MATCHED INDOOR UNIT/COOLING COIL.