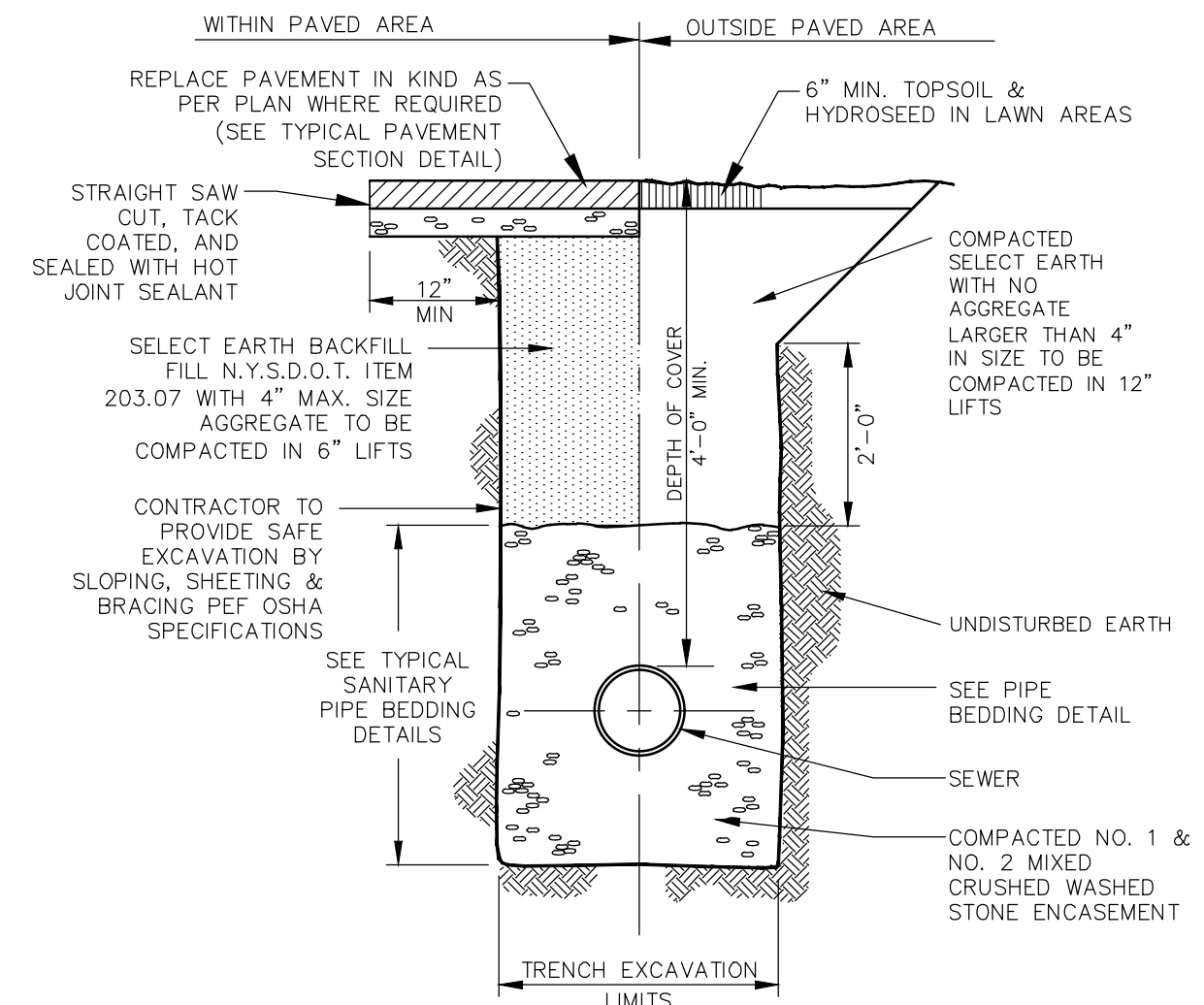


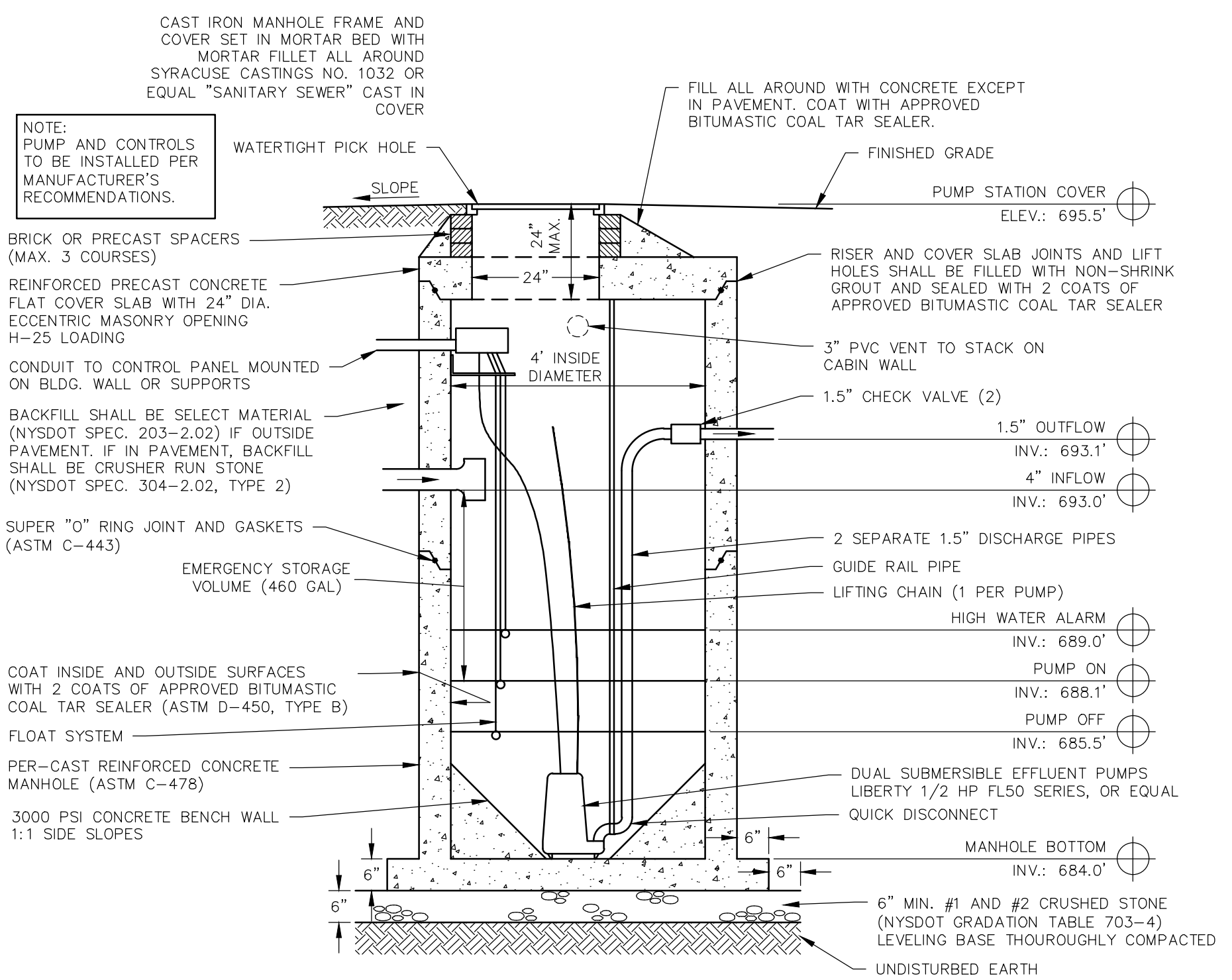
CONSTRUCTION NOTES FOR FABRICATED SILT FENCE:

1. WOVEN WIRE FENCE TO BE FASTENED SECURELY TO FENCE POSTS WITH WIRE TIES OR STAPLES.
2. FILTER CLOTH TO BE FASTENED SECURELY TO WOVEN WIRE FENCE WITH TIES SPACED EVERY 24\"/>

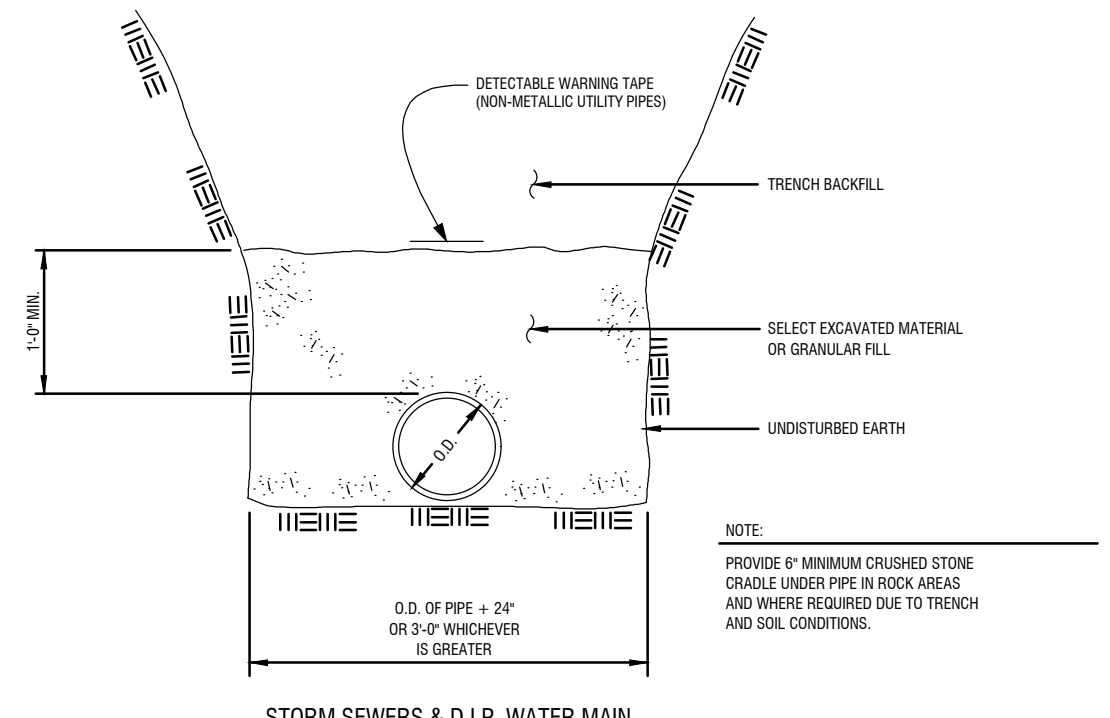
SILT FENCE
N.T.S.



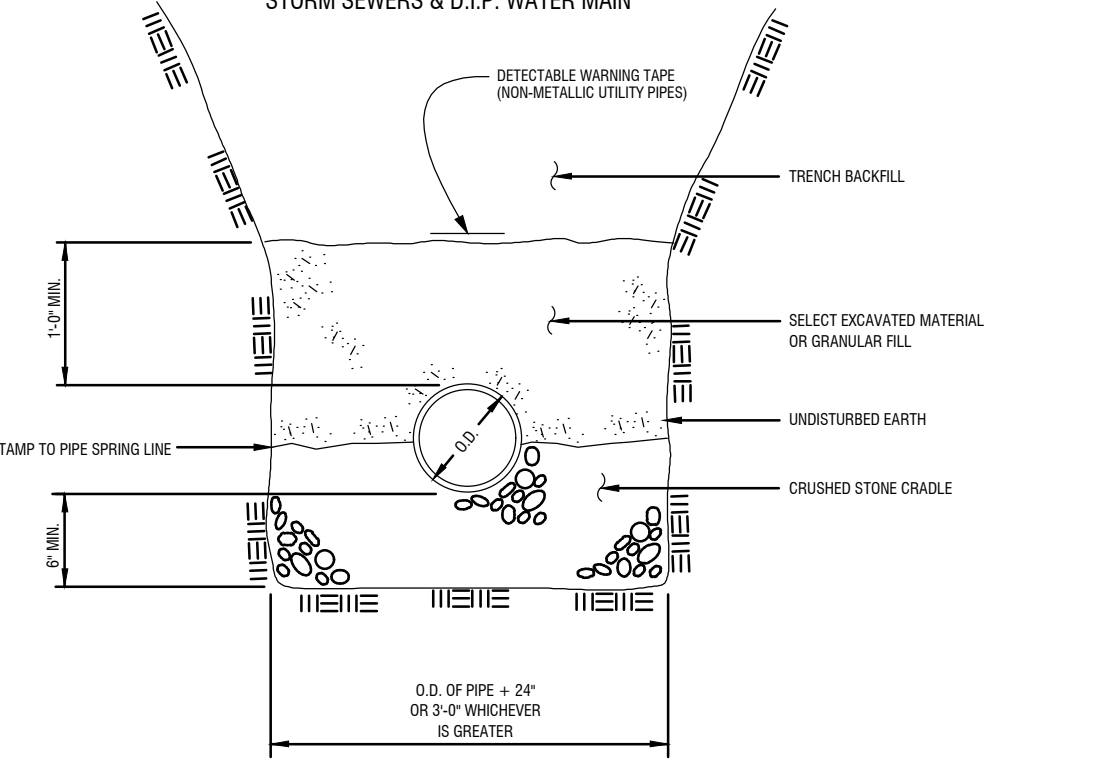
SANITARY & STORM TRENCH DETAIL
N.T.S.



PRIVATE DUPLEX PUMP STATION DETAIL
(N.T.S.)

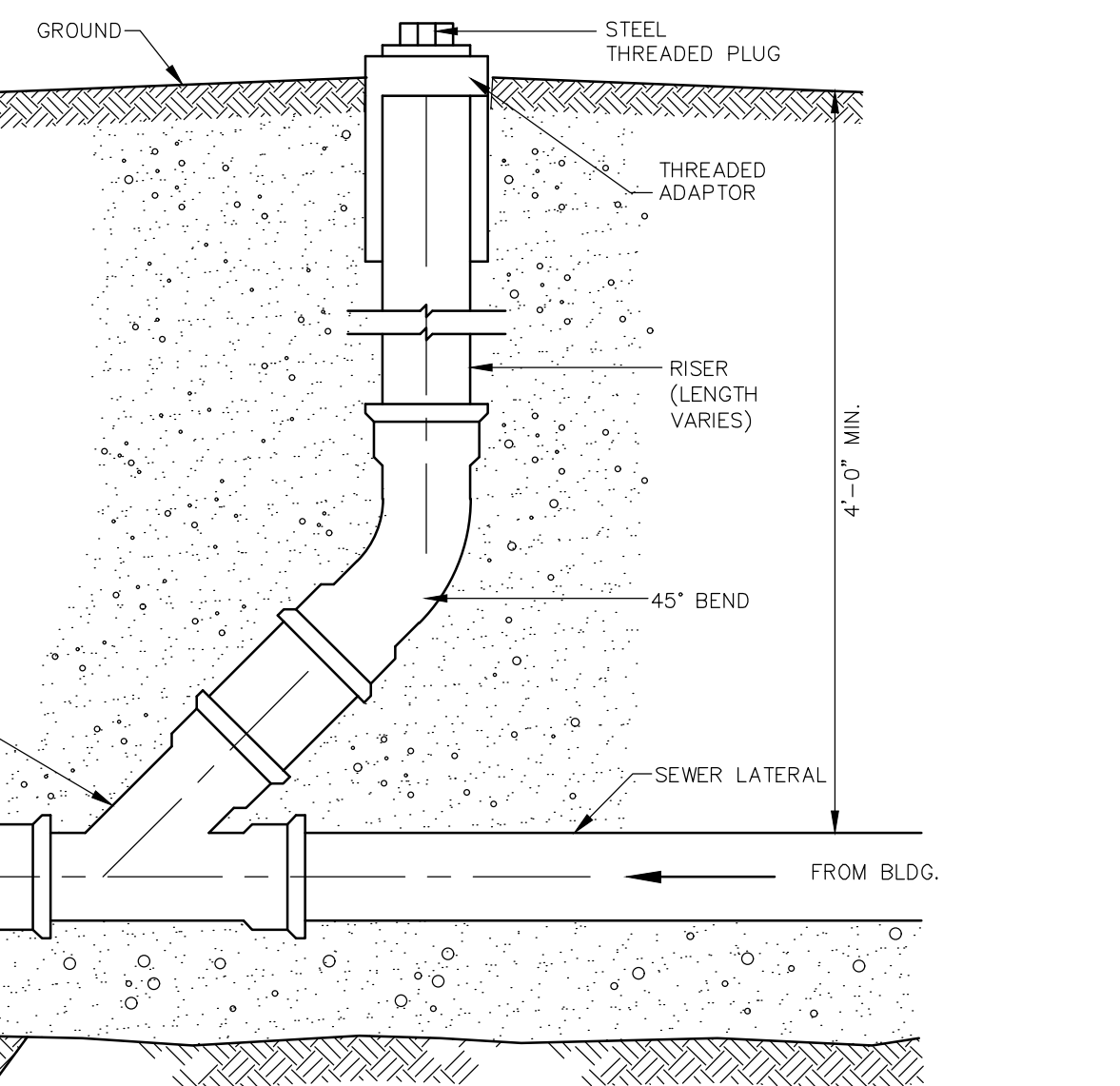
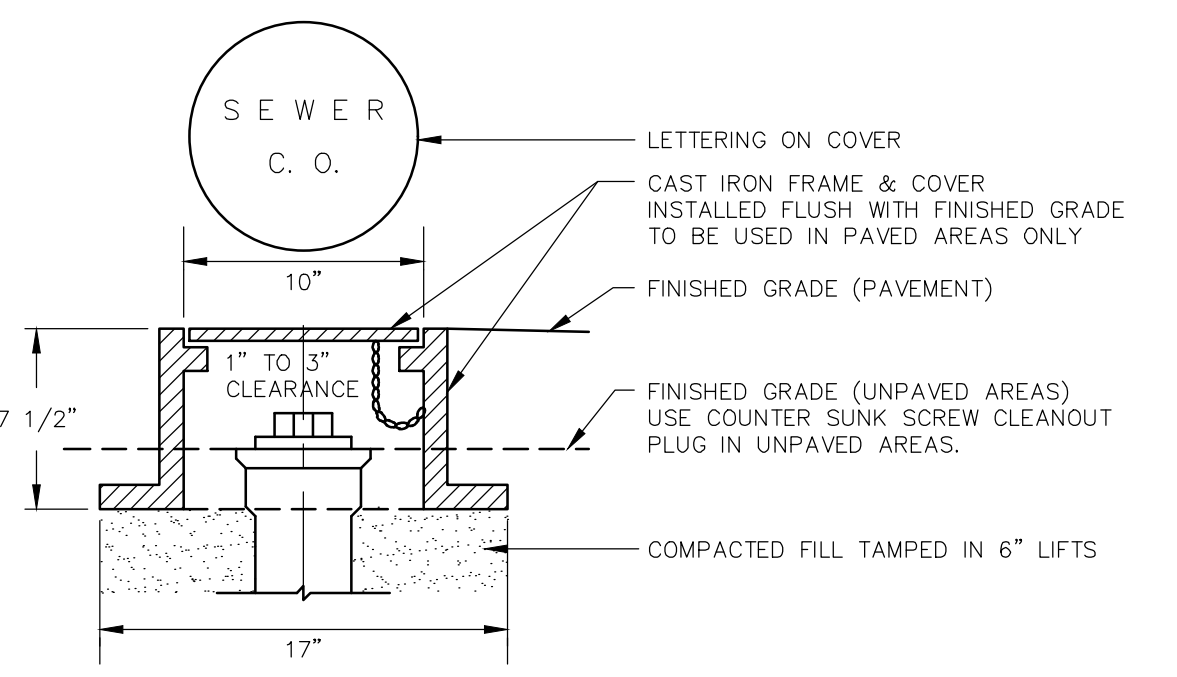


STORM SEWERS & D.I.P. WATER MAIN

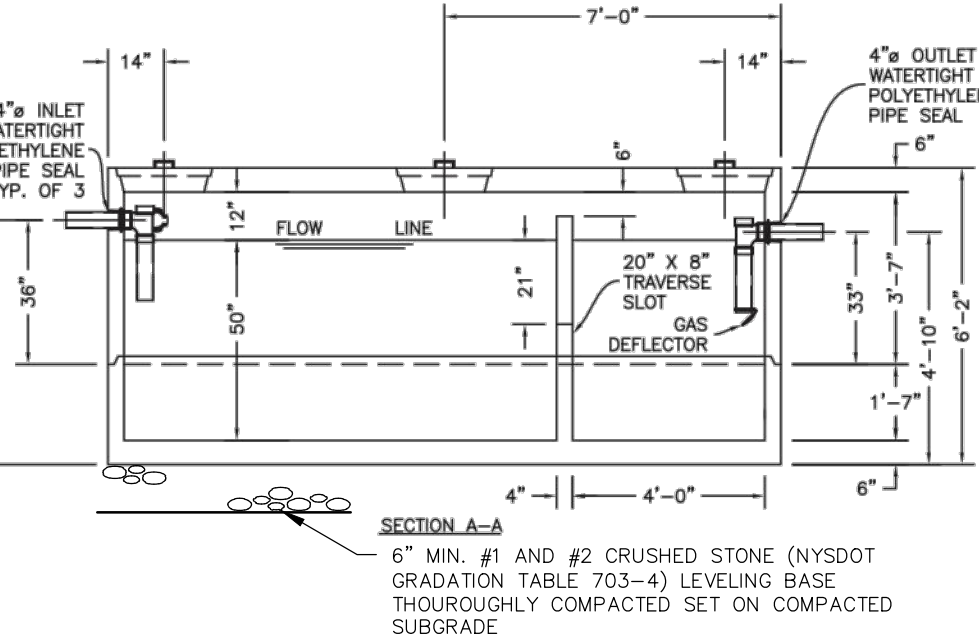
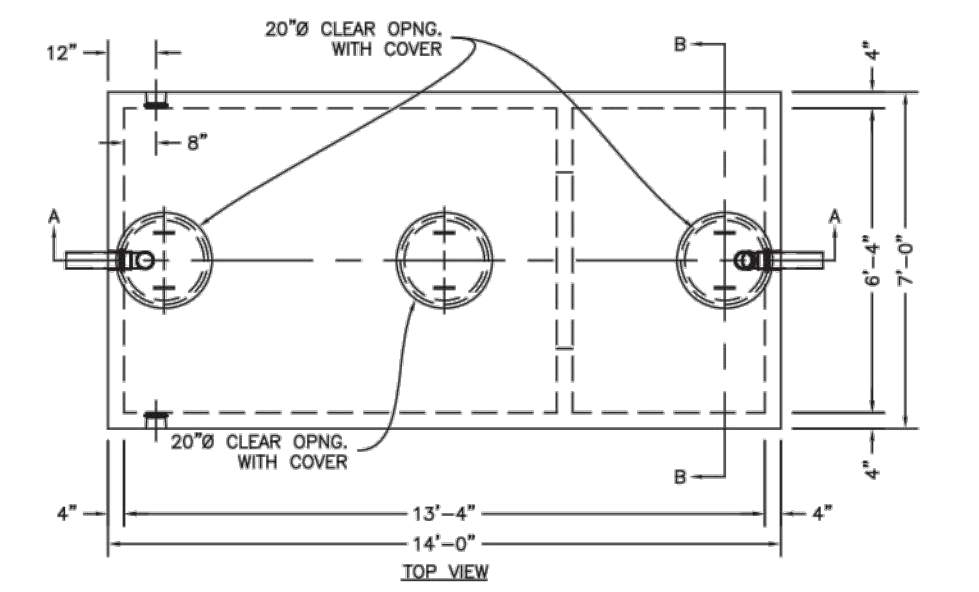


SANITARY SEWERS

BEDDING DETAILS
N.T.S.



LATERAL CLEANOUT DETAIL
N.T.S.



2500 GALLON SEPTIC TANK DETAIL
(N.T.S.)

SPECIFICATIONS:

CONCRETE: 4000 P.S.I @ 28 DAYS.
5% - 9%
ENTRAINED AIR: A.S.T.M A496-A615
STEEL: GRADE 60-60KSI.
DESIGN LOADING: A-0.3/300PSF/WALKWAYS. FLOTATION FORCES NOT ACCOUNTED FOR.

WEIGHT: TOP SECTION: 16,829 LBS.
BOTTOM SECTION: 12,028 LBS.
TOTAL: 28,857 LBS.

OUTLET BAFFLE: PIPE BAFFLE BY K.C.P.

OPTIONAL ITEMS: EFFLUENT FILTER
 GAS DEFLECTOR

COVER OVER TANK: MAX 3' OF EARTH FILL.

DRAWING ALTERATION THE FOLLOWING IS AN EXCERPT FROM THE NEW YORK EDUCATION LAW ARTICLE 145 SECTION 7209 AND APPLIES TO THIS DRAWING. "IT IS A VIOLATION OF THIS LAW FOR ANY PERSON UNLESS HE IS ACTING UNDER THE DIRECTION OF A LICENSED PROFESSIONAL ENGINEER OR LAND SURVEYOR TO ALTER AN ITEM IN ANY WAY IF AN ITEM BEARING THE SEAL OF AN ENGINEER OR LAND SURVEYOR IS ALTERED, THE ALTERING ENGINEER OR LAND SURVEYOR SHALL AFFIX TO THE ITEM HIS SEAL AND THE NOTATION "ALTERED BY" FOLLOWED BY HIS SIGNATURE AND THE DATE OF SUCH ALTERATION AND A SPECIFIC DESCRIPTION OF THE ALTERATION."

Project Title: ONANDA PARK PUMP STATION IMPROVEMENTS 4965 COUNTY ROAD 16, TOWN OF CANANDAIGUA ONTARIO COUNTY, NEW YORK		Drawing Title: DETAILS	
Drawn By: KJM	Checked By: SNS	Scale: AS SHOWN	Date: 5/19/2017
		Engineering, Architecture & Surveying, D.P.C. The Culver Road Armory, 145 Culver Road, Suite 160, Rochester, New York 14620 Phone: 585-381-9250 www.mrbgroup.com	
Sheet No.	D-1	Project No.	0300.17002
2	of 2		

N:\0300_17002\0300.dwg\Onanda Park Details.dwg, 9/11/2017 12:07:10 PM